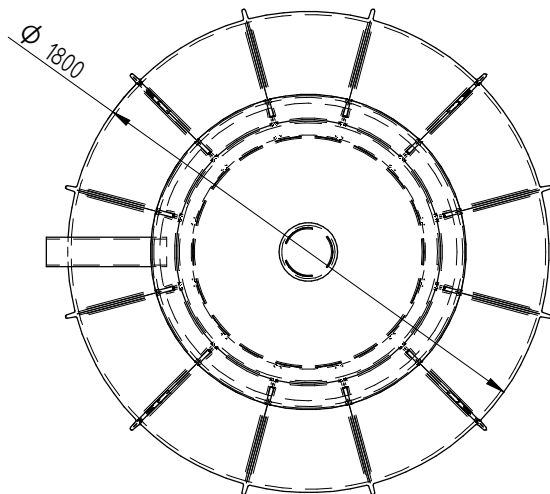


I'd like to order

I'd like a quote

Mark the installation depth of the tank h (depth from the ground to the bottom of the inlet pipe in mm)  
h =

Notes (name of project or address, special need etc):



No	NAME	MATERIAL	SIZE	Qn/pcs
1	Storage tank's body	GRP	D1800	1
2	Inlet pipe	PVC	D110mm	1
3	Inspectionwell (choose the type)			
Installation depth h is measured from inlet pipe bottom to groundlevel in mm. On special occasions we can adapt the body for deeper installation)				
ADDITIONAL EQUIPEMENT (Make Your choice)				
4	Cover			
	Liquid level alarmunit TankCheck			
	Tank will be used as firefithing reservouare			

Please send the completed form by e-mail

Please check your selections and measurements before sending

Date	Engin	Signature	Sheets	STORAGE TANK 3 m <sup>3</sup>	
eccua		Mass	Number	RV	